

SPECIFICATIONS

Ellipsoidal lighting fixture

- PHYSICAL** Die cast and extruded aluminium construction
- One-handed focus mechanism with positive lock (patents pending)
- Rotating shutter assembly $\pm 25^\circ$
- 20 gauge stainless steel shutters in a tri-plane assembly
- Lens tube door provides easy access for lens cleaning
- Positive locking double-clutch yoke
- Scale markings for field angle and focus settings
- Integral die cast color frame holders with two accessory slots, and a top mounted, color frame retainer
- Insulated rear handle
- High impact, thermally insulated knobs and shutter handles
- Steel yoke with two mounting positions
- Slot for glass or stainless steel patterns
- Slot with sliding cover for motorized pattern devices or optional iris
- UL and cUL listed
- ELECTRICAL** 115-240V, 50/60Hz
- High temperature 3-conductor 36" leads in a glass fiber outer sleeve
- Supports ETC Dimmer Doubling™ technology
- LAMP** 750W Maximum
- HPL - compact tungsten filament contained in a krypton/xenon filled quartz envelope (see table for suitable lamp types)
- Integral die cast aluminium heat sink lamp base
- OPTICAL** The 25°-50° uses a plano-convex front lens with a bi-convex rear lens
- Faceted borosilicate reflector with multi-layer dichroic coating
- 95% of visible light reflected through the optical train
- 90% of infrared radiation (heat) passes through the reflector
- Reflector secured with anti-vibration shock mounts
- Low gate and beam temperature, shutters will not warp or distort
- Tool free lamp centering (X/Y) and peak/flat (Z) adjustment knobs
- Positive locking X, Y and Z adjustments, unaffected by relamping
- Lenses have anti-reflective coatings
- Lenses secured with anti-vibration shock mounts
- 15°-30° version is available

ORDERING INFORMATION

Source Four Zoom

| Model# | Description |
|--------|--|
| 42550 | 25°-50° Source Four Zoom ellipsoidal (black) |

ETC Source Four Zooms are supplied with color frame, C-clamp and 36" (90cm) leads as standard

Connector Designation

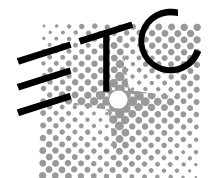
Use Suffixes below to specify Factory-Fitted Connector type

| Model# | Description |
|--------|---|
| A | Parallel-blade U-ground connector |
| B | Two-pin and ground, 20 amp connector |
| C | Grounded, 20 amp, twistlock connector |
| M | Dimmer Doubling™ connector (NEMA L515P) |

Source Four Zoom Accessories

| Model# | Description |
|---------|----------------------------|
| 407CF | Color Frame (included) |
| 400CC | C-clamp (included) |
| 400SC | Safety Cable |
| 400PH-A | Pattern holder (A size) |
| 400PH-B | Pattern holder (B size) |
| 400PH-G | Glass pattern holder |
| 400BY | Balanced yoke assembly kit |
| 400RS | Drop-in Iris |
| 400PTH3 | Top Hat (3" tube) |
| 400PTH6 | Top Hat (6" tube) |
| 400PHH | Half Hat |
| 400PGE3 | Gel Extender (3" tube) |
| 400PGE6 | Gel Extender (6" tube) |

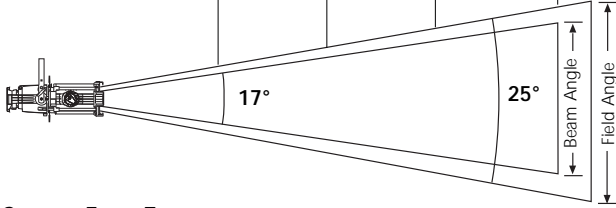
Note: Available in black only



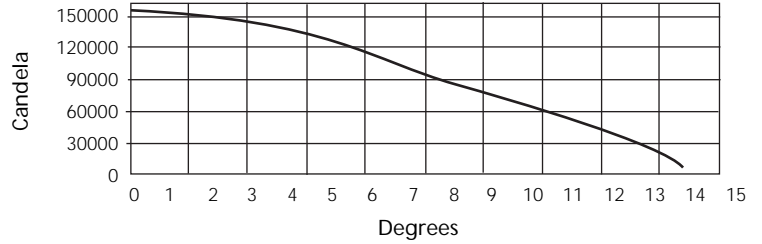
PHOTOMETRIC DATA

25°

| | | | | |
|---------------------|------|------|------|------|
| Distance (ft) | 25 | 35 | 45 | 55 |
| Field Diameter (ft) | 11.1 | 15.5 | 20.0 | 24.4 |
| Illumination (fc) | 248 | 127 | 77 | 51 |



Candlepower Distribution Curve (cosine)



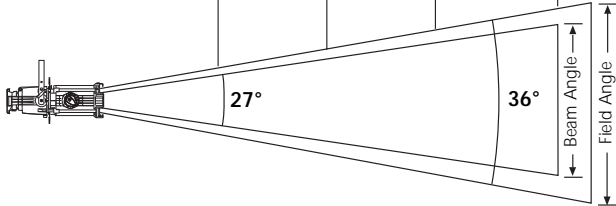
Source Four Zoom

| Degree | Candlepower | Field Lumens | Efficacy | Efficiency |
|--------|-------------|--------------|----------|------------|
| 25° | 155,000 | 13,100 | 17.5 LPW | 59.8% |

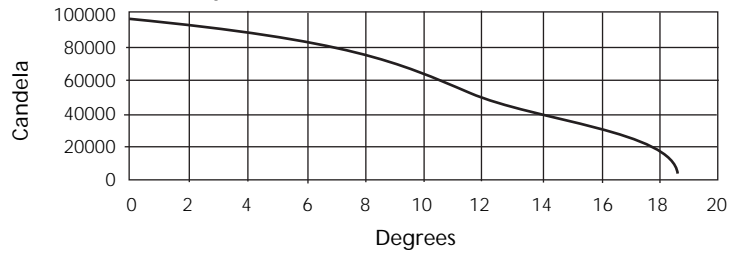
For Field diameter at any distance, multiply distance by .44
 For Beam diameter at any distance, multiply distance by .30

36°

| | | | | |
|---------------------|------|------|------|------|
| Distance (ft) | 30 | 35 | 40 | 45 |
| Field Diameter (ft) | 19.5 | 22.8 | 26.0 | 29.3 |
| Illumination (fc) | 107 | 79 | 60 | 48 |



Candlepower Distribution Curve (cosine)



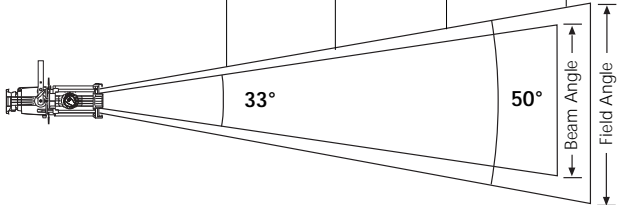
Source Four Zoom

| Degree | Candlepower | Field Lumens | Efficacy | Efficiency |
|--------|-------------|--------------|----------|------------|
| 36° | 96,300 | 13,500 | 18.0 LPW | 61.6% |

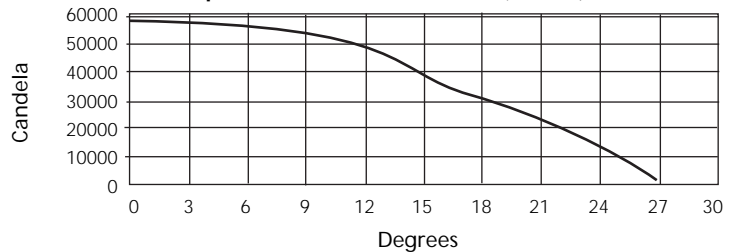
For Field diameter at any distance, multiply distance by .65
 For Beam diameter at any distance, multiply distance by .48

50°

| | | | | |
|---------------------|------|------|------|------|
| Distance (ft) | 20 | 25 | 30 | 35 |
| Field Diameter (ft) | 18.6 | 23.2 | 27.9 | 32.6 |
| Illumination (fc) | 149 | 95 | 66 | 49 |



Candlepower Distribution Curve (cosine)



Source Four Zoom

| Degree | Candlepower | Field Lumens | Efficacy | Efficiency |
|--------|-------------|--------------|----------|------------|
| 50° | 59,500 | 14,200 | 18.9 LPW | 64.8% |

For Field diameter at any distance, multiply distance by .93
 For Beam diameter at any distance, multiply distance by .59

Metric Conversions: For Meters multiply feet by .3048
 For Lux multiply footcandles by 10.76

All photometric data in this document was prepared using standard production fixtures, and the Prometric™ CCD measurement system. Fixtures were adjusted for a flat field and were tested with a calibrated HPL 750/115V 21,900 lumen lamp at its rated voltage. All data normalized to nominal lamp lumens.

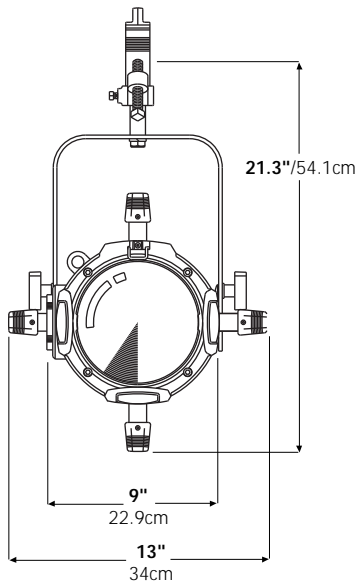
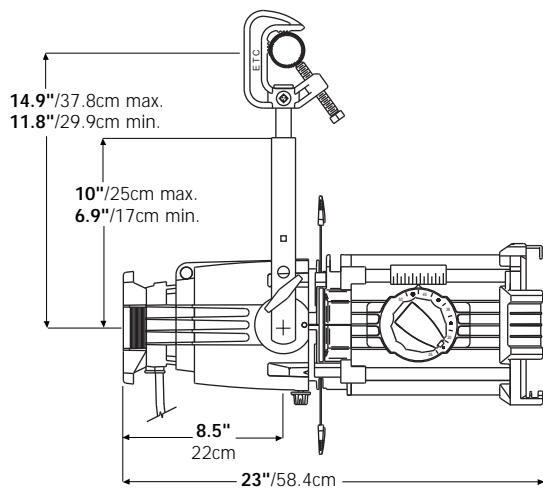
To determine illumination in footcandles or lux at any throwdistance, divide candlepower by distance squared.

For illumination with any lamp, multiply the candlepower of a beam spread by the multiplying factor (mf) shown for that lamp.

Source Four™ Zoom 25°-50°

42550 Series

PHYSICAL



Source Four Zoom Weights

| Model | Fixture Weight* | | Shipping Weight | |
|--------|-----------------|-----|-----------------|------|
| | lbs | kgs | lbs | kgs |
| 25/50° | 17 | 7.6 | 25 | 12.7 |

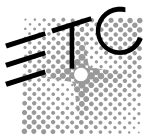
* Add 2.3 lbs for C-clamp

LAMPS

| Lamp code | Watts | Volts | Initial Lumens | Color Temp. | Average Rated Life | MF |
|--------------|-------|-------|----------------|-------------|--------------------|------|
| HPL 750/115 | 750 | 115 | 21,900 | 3,250° | 300 | 1.00 |
| HPL 575/115 | 575 | 115 | 16,520 | 3,250° | 300 | 0.87 |
| HPL 575/115X | 575 | 115 | 12,360 | 3,050° | 2000 | 0.66 |
| HPL 575/120 | 575 | 120 | 16,460 | 3,250° | 300 | 0.87 |
| HPL 375/115 | 375 | 115 | 10,540 | 3,200° | 300 | 0.55 |
| HPL 375/115X | 375 | 115 | 8,060 | 3,000° | 1000 | 0.43 |
| HPL 550/77* | 550 | 77 | 16,170 | 3,250° | 300 | 0.87 |
| HPL 550/77X* | 550 | 77 | 12,160 | 3,050° | 2000 | 0.66 |
| HPL 750/230 | 750 | 230 | 19,400 | 3,200° | 300 | 0.90 |
| HPL 750/240 | 750 | 240 | 19,400 | 3,200° | 300 | 0.90 |
| HPL 575/230 | 575 | 230 | 14,900 | 3,200° | 400 | 0.76 |
| HPL 575/240 | 575 | 240 | 14,900 | 3,200° | 400 | 0.76 |
| HPL 575/230X | 575 | 230 | 11,780 | 3,050° | 1500 | 0.61 |
| HPL 575/240X | 575 | 240 | 11,780 | 3,050° | 1500 | 0.64 |
| HPL 375/230X | 375 | 230 | 7,800 | 3,050° | 1000 | 0.38 |
| HPL 375/240X | 375 | 240 | 7,800 | 3,050° | 1000 | 0.38 |

*77V lamps are intended for use with the ETC Dimmer Doubler™.

Warning: Use of lamps other than HPL will void UL/cUL safety approval and product warranty. Source Four Zoom is rated for 750W maximum.



Electronic Theatre Controls

Americas • 3030 Laura Lane Middleton, WI 53562 • Tel: (+1) 608 831 4116 • Fax: (+1) 608 836 1736 • Toll free: 800 688 4116 • Toll free fax: 800 555 8912

Europe • 5 Victoria Industrial Estate, Victoria Road, London W3 6UU • Tel: (+44) 20 8896 1000 • Fax: (+44) 20 8896 2000

Asia • Room 605-606, Tower III Enterprise Square • 9 Sheung Yuet Road, Kowloon Bay • Kowloon, Hong Kong • Tel: (+852) 2799 1220 • Fax: (+852) 2799 9325

International • 3030 Laura Lane Middleton, WI 53562 • Tel: (+1) 608 831 4116 • Fax: (+1) 608 836 1736 • Toll free: 800 688 4116 • Toll free fax: 800 555 8912

Web: www.etconnect.com • **Email:** mail@etconnect.com Copyright © 2000 Electronic Theatre Controls, Inc., All Rights Reserved. All product information and specifications subject to change.

Source Four™ products protected by U.S. Patent Numbers: 5,268,613, 5,345,371, 5,544,029 and 5,446,637, Japanese Patent Number: 2,501,772. US and International Patents Pending.